



SOUNDWELL®

http://soundwell-cn.com

# EC16 Series ENCODER



企业微信，扫码有惊喜



升威官网，发现更多产品

MODEL 品名	DIMENSIONS 尺寸	UNIT:mm																				
<b>EC162102</b> <b>2A -VA1</b> 	<table border="1"> <thead> <tr> <th>Z</th> <th>W</th> <th>D</th> <th></th> </tr> </thead> <tbody> <tr> <td>E</td> <td>7</td> <td>∅8.9</td> <td>M9*0.75</td> </tr> <tr> <td>F</td> <td>7</td> <td>∅8.7</td> <td>M9*0.75</td> </tr> <tr> <td>A</td> <td>5</td> <td>∅8.9</td> <td>M9*0.75</td> </tr> <tr> <td>B</td> <td>5</td> <td>∅8.7</td> <td>M9*0.75</td> </tr> </tbody> </table>	Z	W	D		E	7	∅8.9	M9*0.75	F	7	∅8.7	M9*0.75	A	5	∅8.9	M9*0.75	B	5	∅8.7	M9*0.75	<p>P. C. B MOUNTING HOLES DETAIL</p>
Z	W	D																				
E	7	∅8.9	M9*0.75																			
F	7	∅8.7	M9*0.75																			
A	5	∅8.9	M9*0.75																			
B	5	∅8.7	M9*0.75																			
<b>EC162102</b> <b>11F -VA2</b> 		<p>P. C. B MOUNTING HOLES DETAIL</p>																				
<b>EC162102</b> <b>2B -HA1</b> 	<table border="1"> <thead> <tr> <th>Z</th> <th>W</th> <th>D</th> <th></th> </tr> </thead> <tbody> <tr> <td>E</td> <td>7</td> <td>∅8.9</td> <td>M9*0.75</td> </tr> <tr> <td>F</td> <td>7</td> <td>∅8.7</td> <td>M9*0.75</td> </tr> <tr> <td>A</td> <td>5</td> <td>∅8.9</td> <td>M9*0.75</td> </tr> <tr> <td>B</td> <td>5</td> <td>∅8.7</td> <td>M9*0.75</td> </tr> </tbody> </table>	Z	W	D		E	7	∅8.9	M9*0.75	F	7	∅8.7	M9*0.75	A	5	∅8.9	M9*0.75	B	5	∅8.7	M9*0.75	<p>P. C. B MOUNTING HOLES DETAIL</p>
Z	W	D																				
E	7	∅8.9	M9*0.75																			
F	7	∅8.7	M9*0.75																			
A	5	∅8.9	M9*0.75																			
B	5	∅8.7	M9*0.75																			
<b>EC162101</b> <b>2B -HA1</b> 	<table border="1"> <thead> <tr> <th>Z</th> <th>W</th> <th>D</th> <th></th> </tr> </thead> <tbody> <tr> <td>E</td> <td>7</td> <td>∅8.9</td> <td>M9*0.75</td> </tr> <tr> <td>F</td> <td>7</td> <td>∅8.7</td> <td>M9*0.75</td> </tr> <tr> <td>A</td> <td>5</td> <td>∅8.9</td> <td>M9*0.75</td> </tr> <tr> <td>B</td> <td>5</td> <td>∅8.7</td> <td>M9*0.75</td> </tr> </tbody> </table>	Z	W	D		E	7	∅8.9	M9*0.75	F	7	∅8.7	M9*0.75	A	5	∅8.9	M9*0.75	B	5	∅8.7	M9*0.75	<p>P. C. B MOUNTING HOLES DETAIL</p>
Z	W	D																				
E	7	∅8.9	M9*0.75																			
F	7	∅8.7	M9*0.75																			
A	5	∅8.9	M9*0.75																			
B	5	∅8.7	M9*0.75																			



SOUNDWELL®

http://soundwell-cn.com


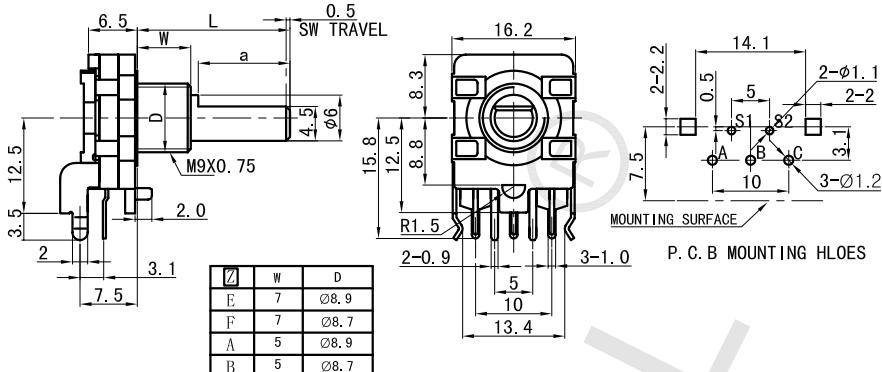

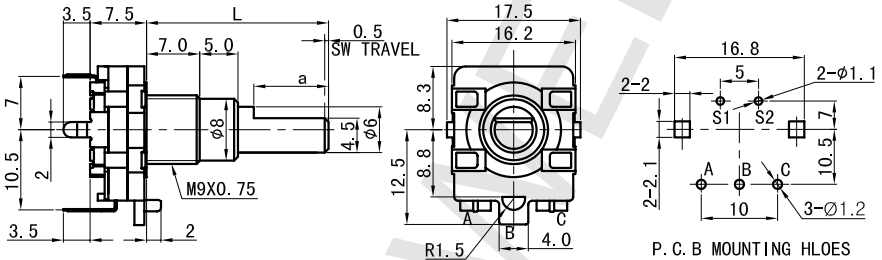
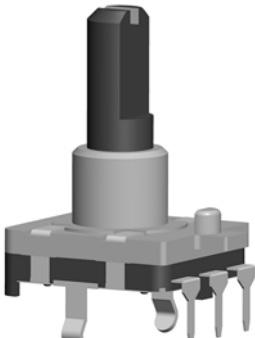
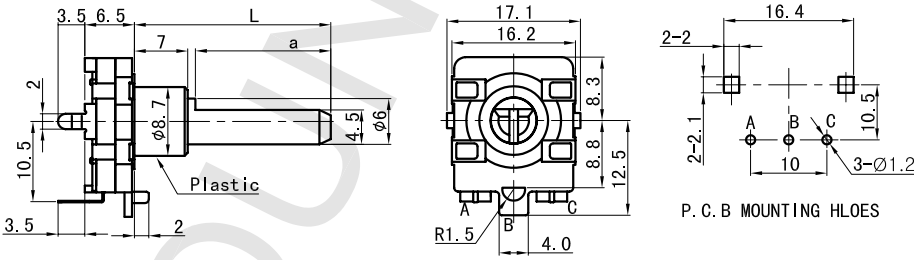
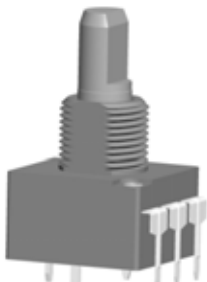
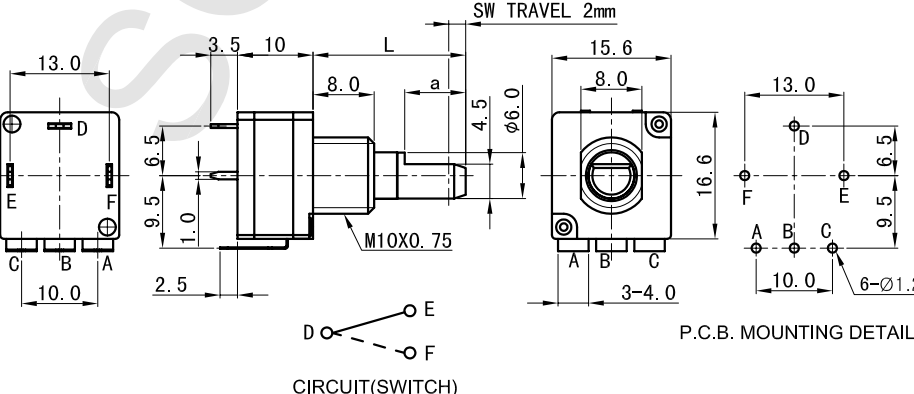
# EC16 Series ENCODER



企业微信，扫码有惊喜



升威官网，发现更多产品

MODEL 品名	DIMENSIONS 尺寸	UNIT:mm															
<p>EC162101  -VA1</p> 	 <table border="1" data-bbox="762 667 930 779"> <thead> <tr> <th></th> <th>W</th> <th>D</th> </tr> </thead> <tbody> <tr> <td>E</td> <td>7</td> <td>∅8.9</td> </tr> <tr> <td>F</td> <td>7</td> <td>∅8.7</td> </tr> <tr> <td>A</td> <td>5</td> <td>∅8.9</td> </tr> <tr> <td>B</td> <td>5</td> <td>∅8.7</td> </tr> </tbody> </table>		W	D	E	7	∅8.9	F	7	∅8.7	A	5	∅8.9	B	5	∅8.7	
	W	D															
E	7	∅8.9															
F	7	∅8.7															
A	5	∅8.9															
B	5	∅8.7															
<p>EC162101C1B -HA1</p> 																	
<p>EC162102H1C -HA1</p> 																	
<p>EC160201A2X-HA1</p> 	 <p style="text-align: center;">CIRCUIT(SWITCH)</p>																



SOUNDWELL®

<http://soundwell-cn.com>

# EC16 Series ENCODER



企业微信，扫码有惊喜



升威官网，发现更多产品

MODEL 品名	DIMENSIONS 尺寸	UNIT:mm
----------	---------------	---------

Resolution and Output signal					
SERIES 系列	RESOLUTION 分解能力	DETENT 定位	Rotation direction 旋转方向	SIGNAL 信号	OUTPUT PHASE 输出波形
EC16	12P	12	C. W (顺时针方向)	A (Terminal A-C)	
				B (Terminal B-C)	
	12P	24	C. W (顺时针方向)	A (Terminal A-C)	
				B (Terminal B-C)	
	24P	24	C. W (顺时针方向)	A (Terminal A-C)	
				B (Terminal B-C)	

Note: The broken line shows detent position.

注明: 虚线表示带卡点装置的卡点处位置。