



SOUNDWELL®

http://soundwell-cn.com

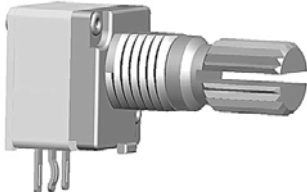
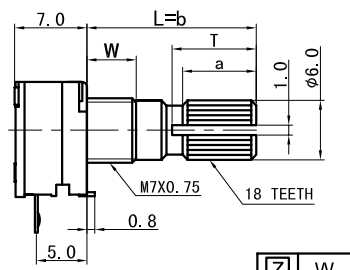
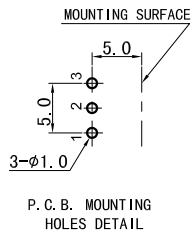
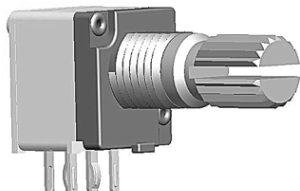
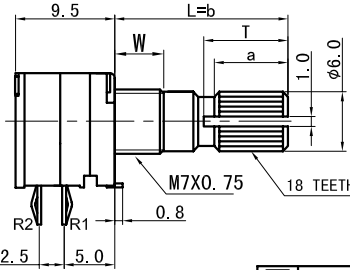
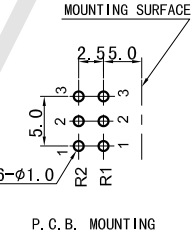
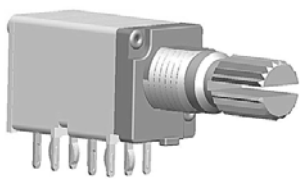
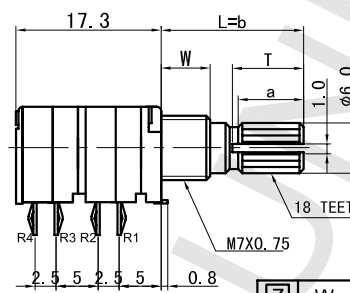
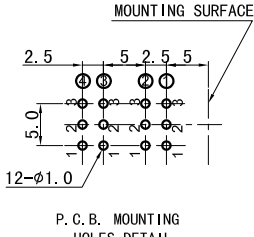
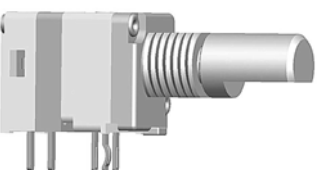
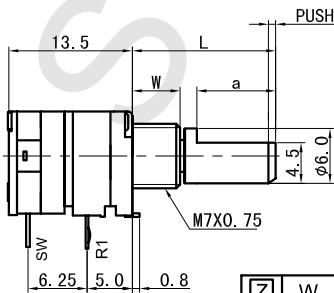
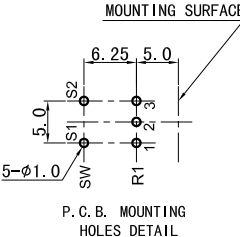
RA09 Series POTENTIOMETER



企业微信，扫码有惊喜



升威官网，发现更多产品

MODEL 品名	DIMENSIONS 尺寸	UNIT:mm																
<p>RA0902NO \square \square 0X-VA1</p> 	 <table border="1" data-bbox="837 660 933 784"> <thead> <tr><th>\square</th><th>W</th></tr> </thead> <tbody> <tr><td>A</td><td>5.0</td></tr> <tr><td>B</td><td>7.0</td></tr> <tr><td>C</td><td>10.0</td></tr> </tbody> </table>	\square	W	A	5.0	B	7.0	C	10.0	 <p>P. C. B. MOUNTING HOLES DETAIL</p>								
\square	W																	
A	5.0																	
B	7.0																	
C	10.0																	
<p>RA0902GO \square \square 0X-VA1</p> 	 <table border="1" data-bbox="837 1097 933 1220"> <thead> <tr><th>\square</th><th>W</th></tr> </thead> <tbody> <tr><td>A</td><td>5.0</td></tr> <tr><td>B</td><td>7.0</td></tr> <tr><td>C</td><td>10.0</td></tr> </tbody> </table>	\square	W	A	5.0	B	7.0	C	10.0	 <p>P. C. B. MOUNTING HOLES DETAIL</p>								
\square	W																	
A	5.0																	
B	7.0																	
C	10.0																	
<p>RA0902 \square O \square 0X-VA1</p> 	 <table border="1" data-bbox="606 1590 813 1657"> <thead> <tr><th>\square</th><th>F</th><th>J</th><th>H</th></tr> </thead> <tbody> <tr><td></td><td>4联</td><td>6联</td><td>8联</td></tr> </tbody> </table> <table border="1" data-bbox="837 1534 933 1657"> <thead> <tr><th>\square</th><th>W</th></tr> </thead> <tbody> <tr><td>A</td><td>5.0</td></tr> <tr><td>B</td><td>7.0</td></tr> <tr><td>C</td><td>10.0</td></tr> </tbody> </table>	\square	F	J	H		4联	6联	8联	\square	W	A	5.0	B	7.0	C	10.0	 <p>P. C. B. MOUNTING HOLES DETAIL</p>
\square	F	J	H															
	4联	6联	8联															
\square	W																	
A	5.0																	
B	7.0																	
C	10.0																	
<p>RA0902PN \square \square 0X-VA1</p> 	 <table border="1" data-bbox="837 1971 933 2094"> <thead> <tr><th>\square</th><th>W</th></tr> </thead> <tbody> <tr><td>A</td><td>5.0</td></tr> <tr><td>B</td><td>7.0</td></tr> <tr><td>C</td><td>10.0</td></tr> </tbody> </table>	\square	W	A	5.0	B	7.0	C	10.0	 <p>P. C. B. MOUNTING HOLES DETAIL</p>								
\square	W																	
A	5.0																	
B	7.0																	
C	10.0																	



SOUNDWELL®

http://soundwell-cn.com

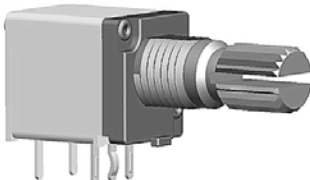
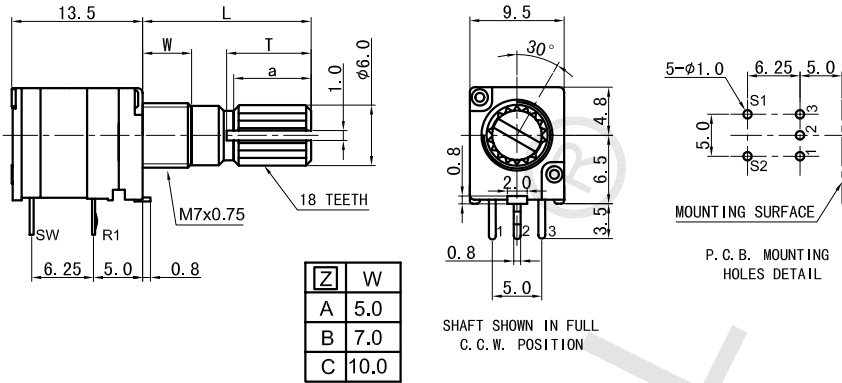
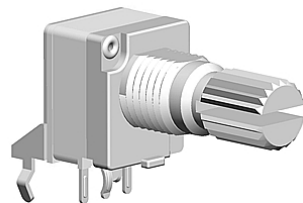
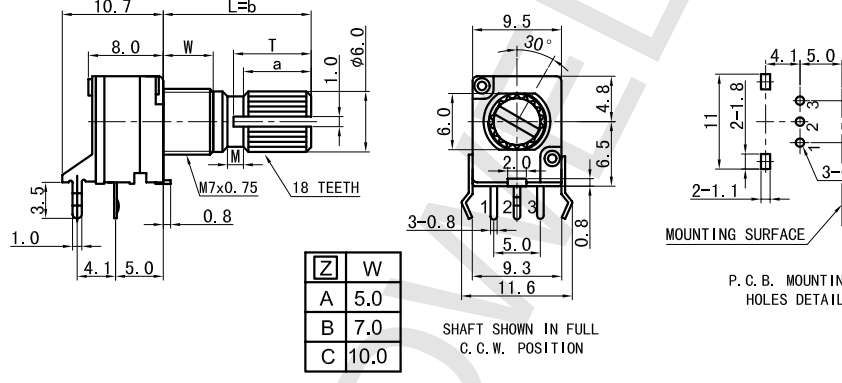
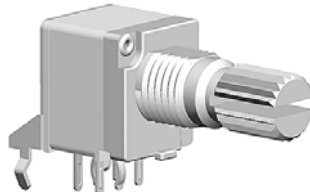
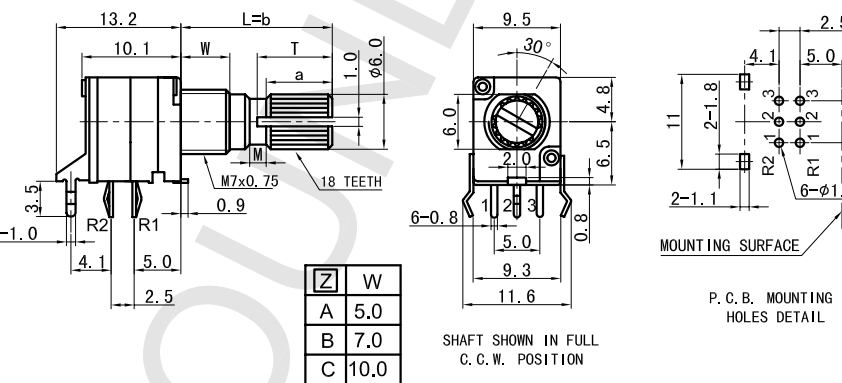
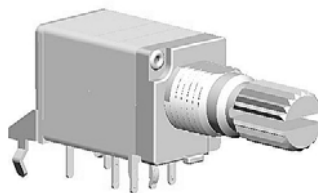
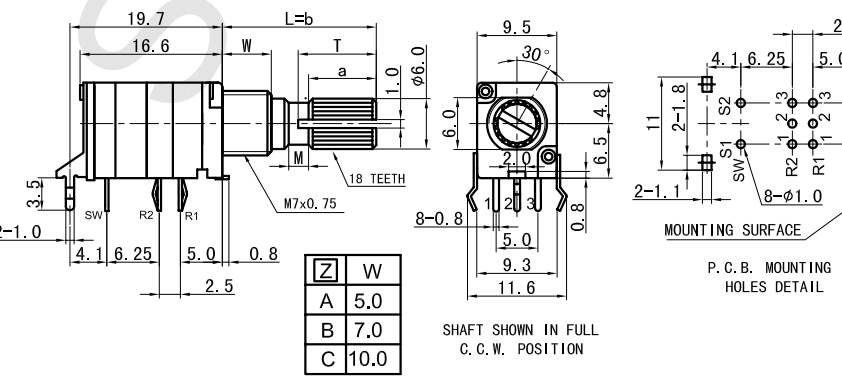
RA09 Series POTENTIOMETER



企业微信，扫码有惊喜



升威官网，发现更多产品

MODEL 品名	DIMENSIONS 尺寸	UNIT:mm								
<p>RA0902SN \square0X-VA1</p> 	 <table border="1"> <thead> <tr> <th>\square</th> <th>W</th> </tr> </thead> <tbody> <tr> <td>A</td> <td>5.0</td> </tr> <tr> <td>B</td> <td>7.0</td> </tr> <tr> <td>C</td> <td>10.0</td> </tr> </tbody> </table> <p>SHAFT SHOWN IN FULL C. C. W. POSITION</p> <p>P. C. B. MOUNTING HOLES DETAIL</p>	\square	W	A	5.0	B	7.0	C	10.0	
\square	W									
A	5.0									
B	7.0									
C	10.0									
<p>RA0902NO \square0A-VA1</p> 	 <table border="1"> <thead> <tr> <th>\square</th> <th>W</th> </tr> </thead> <tbody> <tr> <td>A</td> <td>5.0</td> </tr> <tr> <td>B</td> <td>7.0</td> </tr> <tr> <td>C</td> <td>10.0</td> </tr> </tbody> </table> <p>SHAFT SHOWN IN FULL C. C. W. POSITION</p> <p>P. C. B. MOUNTING HOLES DETAIL</p>	\square	W	A	5.0	B	7.0	C	10.0	
\square	W									
A	5.0									
B	7.0									
C	10.0									
<p>RA0902GO \square0A-VA1</p> 	 <table border="1"> <thead> <tr> <th>\square</th> <th>W</th> </tr> </thead> <tbody> <tr> <td>A</td> <td>5.0</td> </tr> <tr> <td>B</td> <td>7.0</td> </tr> <tr> <td>C</td> <td>10.0</td> </tr> </tbody> </table> <p>SHAFT SHOWN IN FULL C. C. W. POSITION</p> <p>P. C. B. MOUNTING HOLES DETAIL</p>	\square	W	A	5.0	B	7.0	C	10.0	
\square	W									
A	5.0									
B	7.0									
C	10.0									
<p>RA0902SG \square0A-VA1</p> 	 <table border="1"> <thead> <tr> <th>\square</th> <th>W</th> </tr> </thead> <tbody> <tr> <td>A</td> <td>5.0</td> </tr> <tr> <td>B</td> <td>7.0</td> </tr> <tr> <td>C</td> <td>10.0</td> </tr> </tbody> </table> <p>SHAFT SHOWN IN FULL C. C. W. POSITION</p> <p>P. C. B. MOUNTING HOLES DETAIL</p>	\square	W	A	5.0	B	7.0	C	10.0	
\square	W									
A	5.0									
B	7.0									
C	10.0									



SOUNDWELL®

<http://soundwell-cn.com>

RA09 Series POTENTIOMETER



企业微信，扫码有惊喜



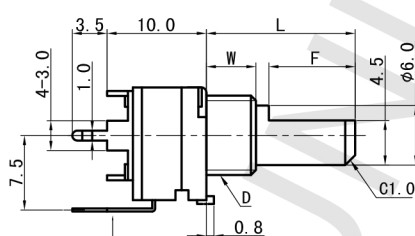
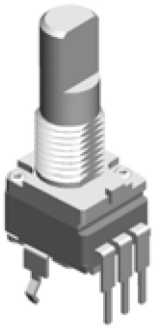
升威官网，发现更多产品

MODEL 品名

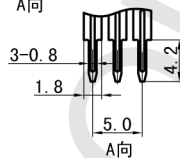
DIMENSIONS 尺寸

UNIT:mm

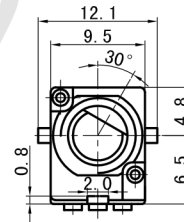
RA0919NO 0B-HA1



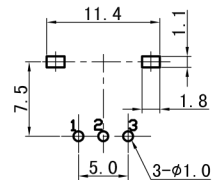
A向



<input checked="" type="checkbox"/>	D	W
A	M7x0.75	5.0
B	M7x0.75	7.0
C	M7x0.75	10.0
D	M9x0.75	5.0
E	M9x0.75	4.0
M	M9x0.75	7.0

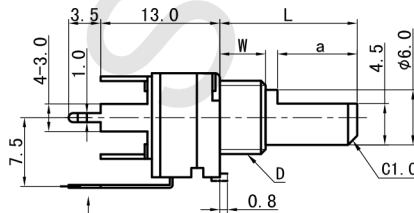
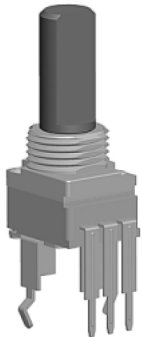


SHAFT SHOWN IN FULL
C.C.W. POSITION

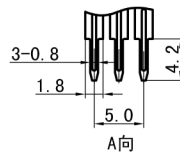


P.C.B. MOUNTING
HOLES DETAIL

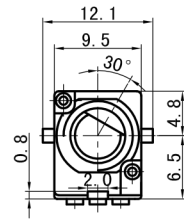
RA0919NO 0B-HA2



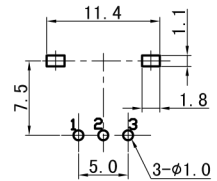
A向



<input checked="" type="checkbox"/>	D	W
A	M7x0.75	5.0
B	M7x0.75	7.0
C	M7x0.75	10.0
D	M9x0.75	5.0
E	M9x0.75	4.0
M	M9x0.75	7.0



SHAFT SHOWN IN FULL
C.C.W. POSITION



P.C.B. MOUNTING
HOLES DETAIL



SOUNDWELL®

http://soundwell-cn.com

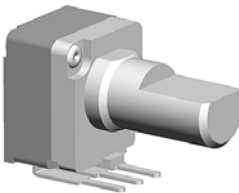
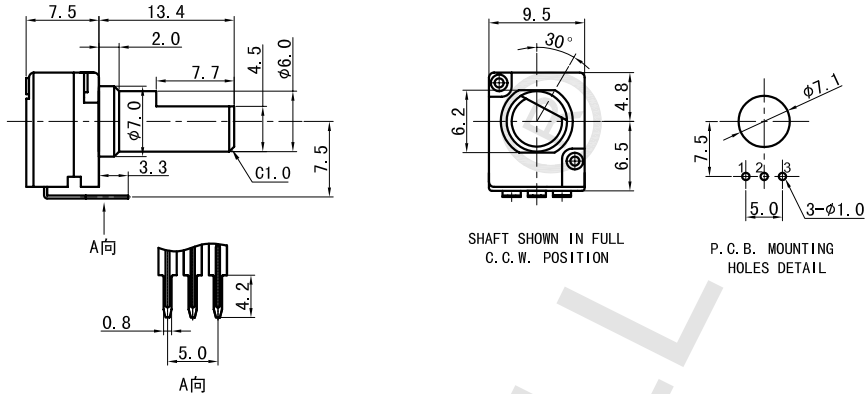
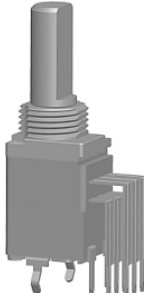
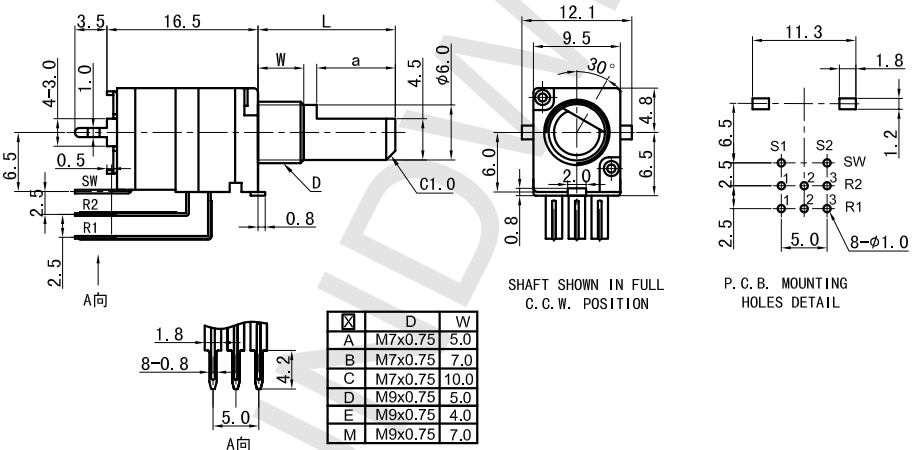
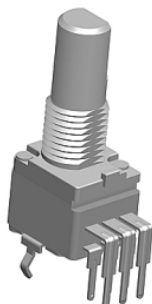
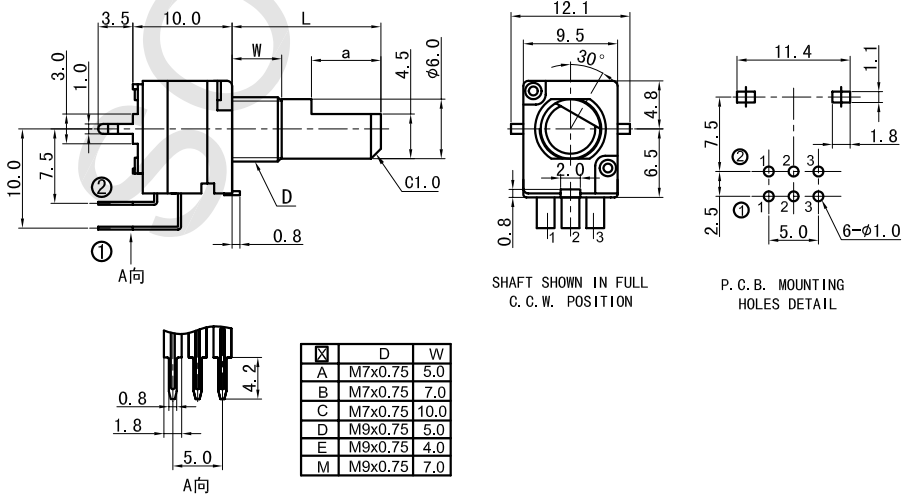
RA09 Series POTENTIOMETER



企业微信，扫码有惊喜



升威官网，发现更多产品

MODEL 品名	DIMENSIONS 尺寸	UNIT:mm																					
<p>RA0919NON0X-PA1</p> 	 <p>SHAFT SHOWN IN FULL C. C. W. POSITION</p> <p>P. C. B. MOUNTING HOLES DETAIL</p>																						
<p>RA0919SG <input checked="" type="checkbox"/> 0A-HA3</p> 	 <table border="1" data-bbox="869 1321 1021 1456"> <thead> <tr> <th><input checked="" type="checkbox"/></th> <th>D</th> <th>W</th> </tr> </thead> <tbody> <tr> <td>A</td> <td>M7x0.75</td> <td>5.0</td> </tr> <tr> <td>B</td> <td>M7x0.75</td> <td>7.0</td> </tr> <tr> <td>C</td> <td>M7x0.75</td> <td>10.0</td> </tr> <tr> <td>D</td> <td>M9x0.75</td> <td>5.0</td> </tr> <tr> <td>E</td> <td>M9x0.75</td> <td>4.0</td> </tr> <tr> <td>M</td> <td>M9x0.75</td> <td>7.0</td> </tr> </tbody> </table> <p>SHAFT SHOWN IN FULL C. C. W. POSITION</p> <p>P. C. B. MOUNTING HOLES DETAIL</p>	<input checked="" type="checkbox"/>	D	W	A	M7x0.75	5.0	B	M7x0.75	7.0	C	M7x0.75	10.0	D	M9x0.75	5.0	E	M9x0.75	4.0	M	M9x0.75	7.0	
<input checked="" type="checkbox"/>	D	W																					
A	M7x0.75	5.0																					
B	M7x0.75	7.0																					
C	M7x0.75	10.0																					
D	M9x0.75	5.0																					
E	M9x0.75	4.0																					
M	M9x0.75	7.0																					
<p>RA0919GO <input checked="" type="checkbox"/> 0A-HA1</p> 	 <table border="1" data-bbox="853 1926 1013 2072"> <thead> <tr> <th><input checked="" type="checkbox"/></th> <th>D</th> <th>W</th> </tr> </thead> <tbody> <tr> <td>A</td> <td>M7x0.75</td> <td>5.0</td> </tr> <tr> <td>B</td> <td>M7x0.75</td> <td>7.0</td> </tr> <tr> <td>C</td> <td>M7x0.75</td> <td>10.0</td> </tr> <tr> <td>D</td> <td>M9x0.75</td> <td>5.0</td> </tr> <tr> <td>E</td> <td>M9x0.75</td> <td>4.0</td> </tr> <tr> <td>M</td> <td>M9x0.75</td> <td>7.0</td> </tr> </tbody> </table> <p>SHAFT SHOWN IN FULL C. C. W. POSITION</p> <p>P. C. B. MOUNTING HOLES DETAIL</p>	<input checked="" type="checkbox"/>	D	W	A	M7x0.75	5.0	B	M7x0.75	7.0	C	M7x0.75	10.0	D	M9x0.75	5.0	E	M9x0.75	4.0	M	M9x0.75	7.0	
<input checked="" type="checkbox"/>	D	W																					
A	M7x0.75	5.0																					
B	M7x0.75	7.0																					
C	M7x0.75	10.0																					
D	M9x0.75	5.0																					
E	M9x0.75	4.0																					
M	M9x0.75	7.0																					



SOUNDWELL®

http://soundwell-cn.com

RA09 Series POTENTIOMETER

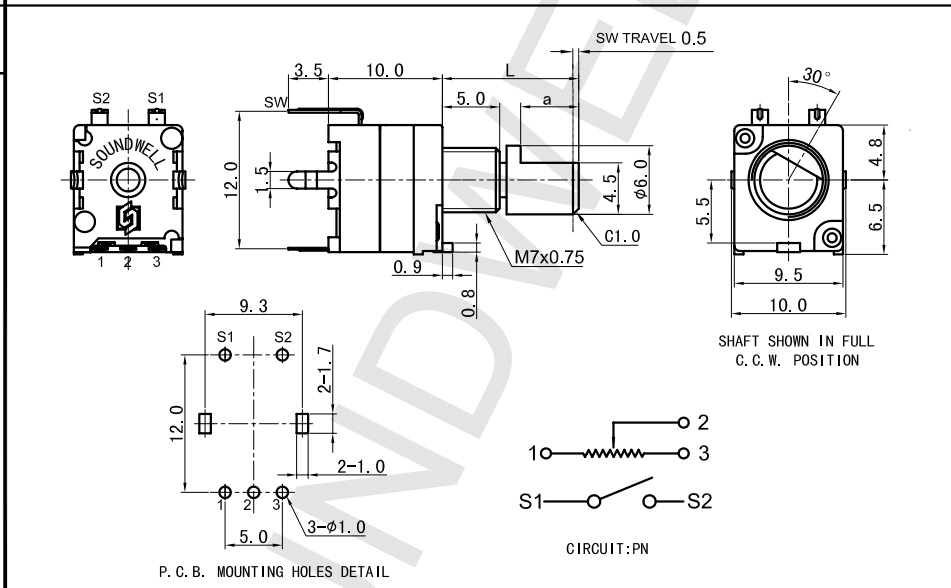
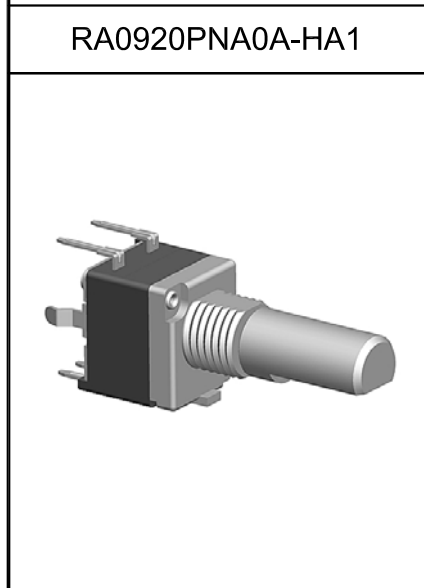
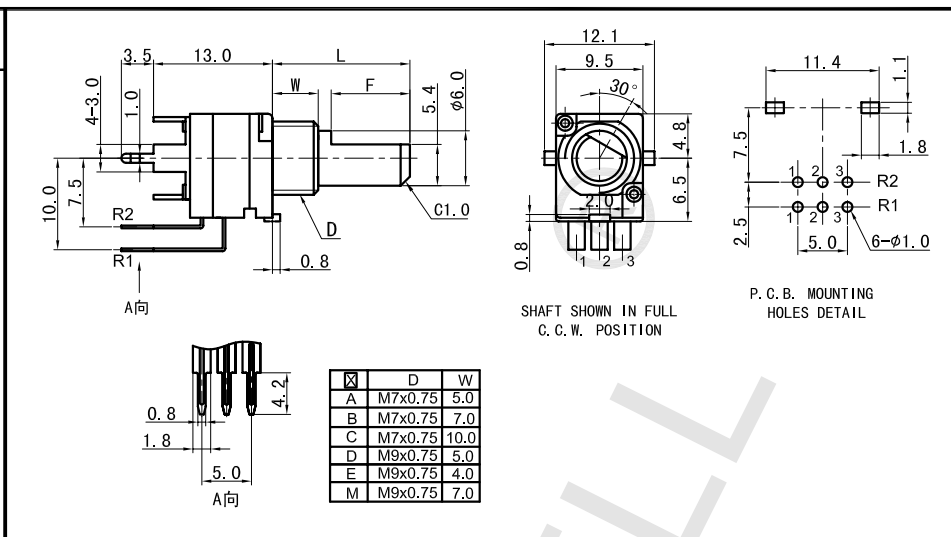
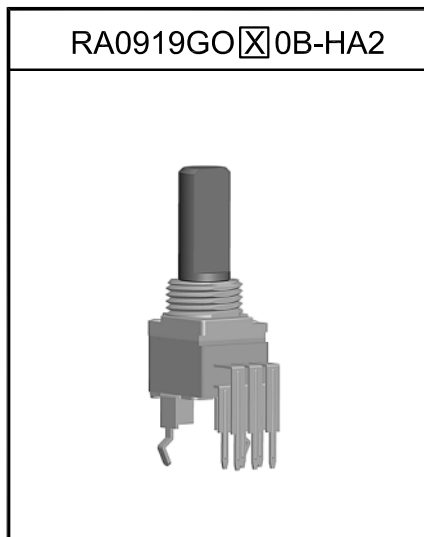


企业微信，扫码有惊喜

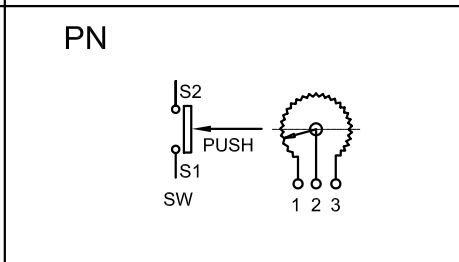
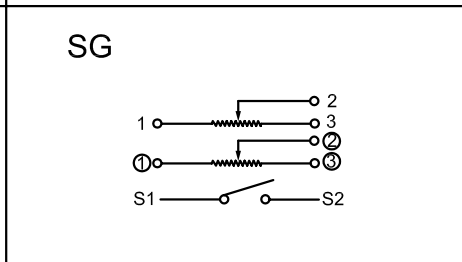
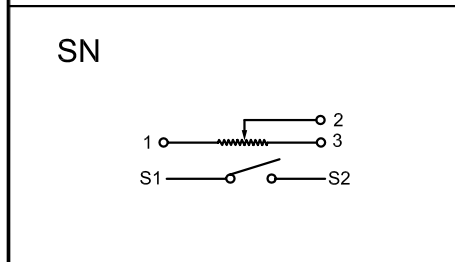
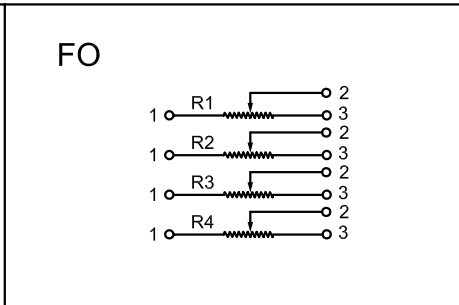
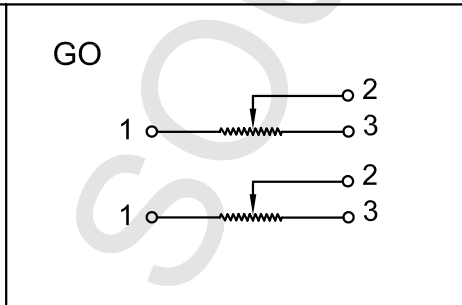
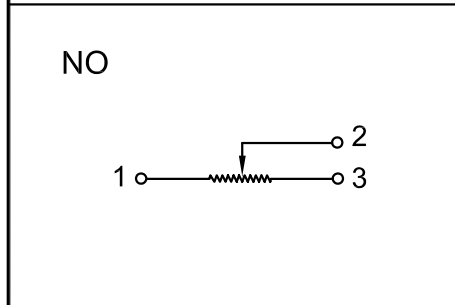


升威官网，发现更多产品

MODEL 品名	DIMENSIONS 尺寸	UNIT:mm
----------	---------------	---------



RA09 SERIES CIRCUIT DIAGRAM





SOUNDWELL®

http://soundwell-cn.com

RA09 Series POTENTIOMETER



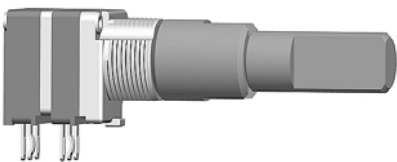
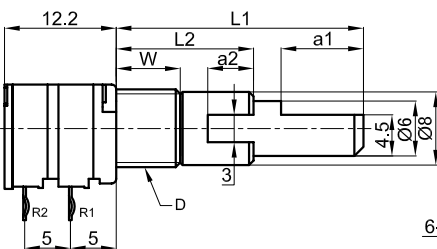
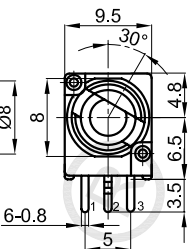
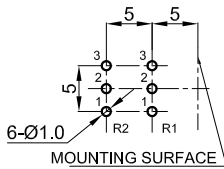
企业微信，扫码有惊喜



升威官网，发现更多产品

MODEL 品名	DIMENSIONS 尺寸	UNIT:mm
----------	---------------	---------

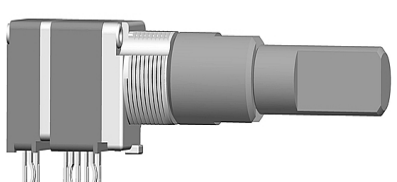
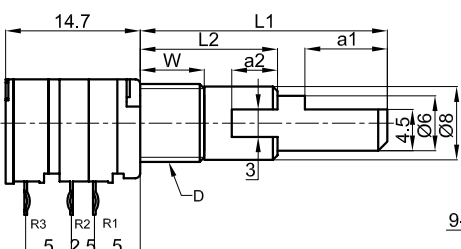
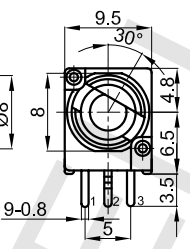
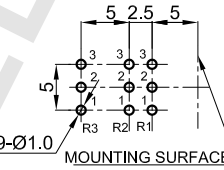
RA0921NO Z0X-VA1

SHAFT SHOWN IN FULL C.C.W. POSITION

P.C.B. MOUNTING HOLE DETAIL

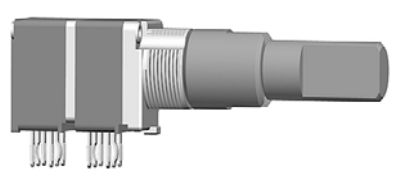
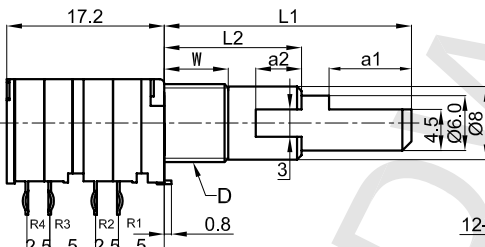
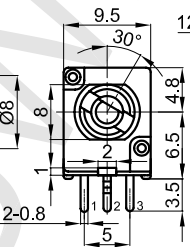
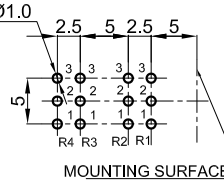
RA0921EO Z0X-VA1

SHAFT SHOWN IN FULL C.C.W. POSITION

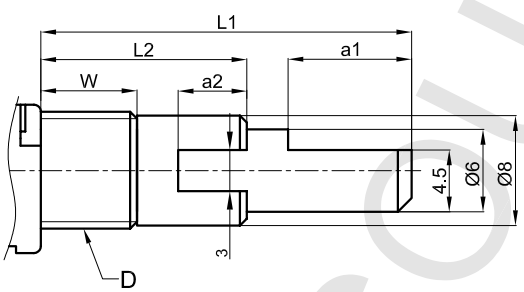
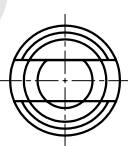
P.C.B. MOUNTING HOLE DETAIL

RA0921GO Z0X-VA1

SHAFT SHOWN IN FULL C.C.W. POSITION

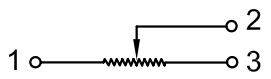
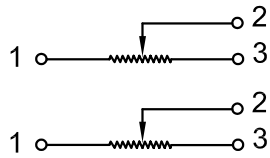
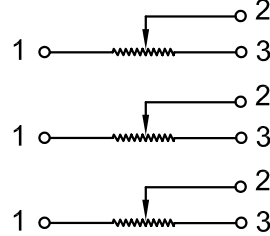
P.C.B. MOUNTING HOLE DETAIL

W	D	Z
5.0	M7x0.75	A
7.0	M7x0.75	B
10.0	M7x0.75	C
5.0	M9x0.75	D
4.0	M9x0.75	E
7.0	M9x0.75	M

L1	16	19	20	20	21	29	30
a1	5	8	5	7	4	7	12
L2	10	10	10	11	13	17.5	15
a2	4	4	4	5	3	4	5

RA0921 SERIES CIRCUIT DIAGRAM

<p>NO</p> 	<p>GO</p> 	<p>EO</p> 
--	--	--



SOUNDWELL®

http://soundwell-cn.com

RA09 Series POTENTIOMETER

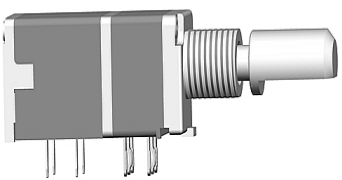
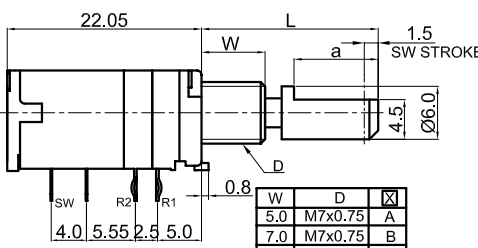
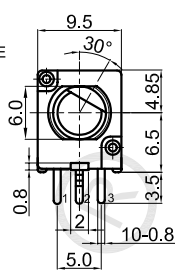
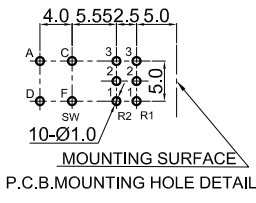


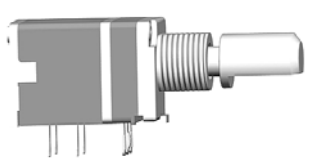
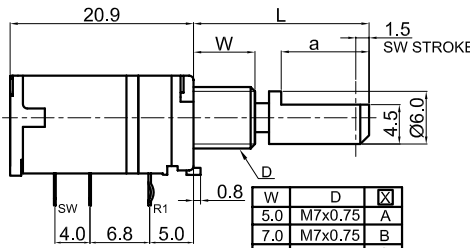
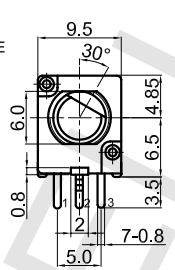
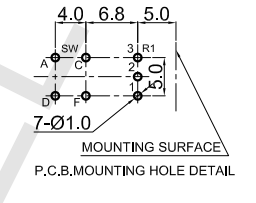
企业微信，扫码有惊喜



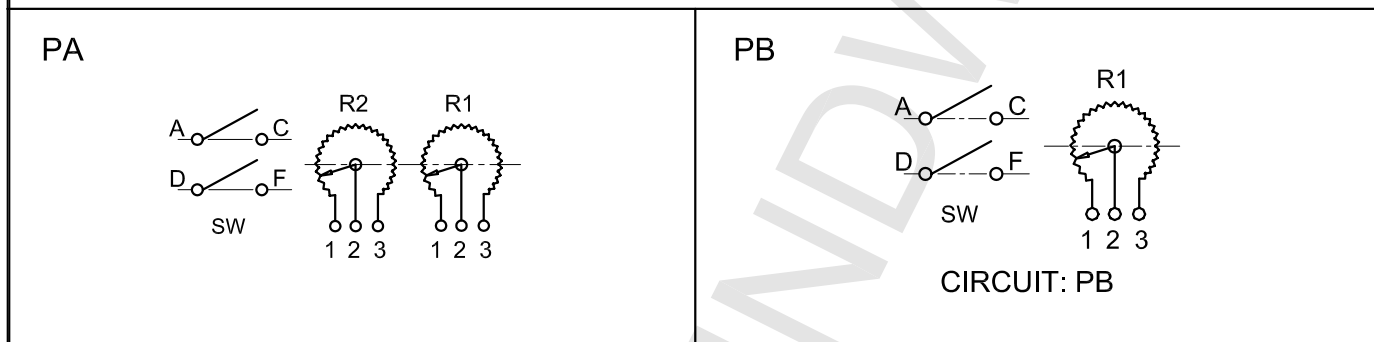
升威官网，发现更多产品

MODEL 品名	DIMENSIONS 尺寸	UNIT:mm
----------	---------------	---------

RA0922PA <input checked="" type="checkbox"/> 0X-VA1 	 <table border="1" style="margin-top: 10px;"> <tr><th>W</th><th>D</th><th><input checked="" type="checkbox"/></th></tr> <tr><td>5.0</td><td>M7x0.75</td><td>A</td></tr> <tr><td>7.0</td><td>M7x0.75</td><td>B</td></tr> <tr><td>10.0</td><td>M7x0.75</td><td>C</td></tr> </table> <table border="1" style="margin-top: 5px;"> <tr><th>L</th><td>25</td><td>20</td><td>15</td><td>15</td></tr> <tr><th>a</th><td>12</td><td>10</td><td>7</td><td>5</td></tr> </table>	W	D	<input checked="" type="checkbox"/>	5.0	M7x0.75	A	7.0	M7x0.75	B	10.0	M7x0.75	C	L	25	20	15	15	a	12	10	7	5	  MOUNTING SURFACE P.C.B.MOUNTING HOLE DETAIL SHAFT SHOWN IN FULL C.C.W. POSITION
W	D	<input checked="" type="checkbox"/>																						
5.0	M7x0.75	A																						
7.0	M7x0.75	B																						
10.0	M7x0.75	C																						
L	25	20	15	15																				
a	12	10	7	5																				

RA0922PB <input checked="" type="checkbox"/> 0X-VA1 	 <table border="1" style="margin-top: 10px;"> <tr><th>W</th><th>D</th><th><input checked="" type="checkbox"/></th></tr> <tr><td>5.0</td><td>M7x0.75</td><td>A</td></tr> <tr><td>7.0</td><td>M7x0.75</td><td>B</td></tr> <tr><td>10.0</td><td>M7x0.75</td><td>C</td></tr> </table> <table border="1" style="margin-top: 5px;"> <tr><th>L</th><td>25</td><td>20</td><td>15</td><td>15</td></tr> <tr><th>a</th><td>12</td><td>10</td><td>7</td><td>5</td></tr> </table>	W	D	<input checked="" type="checkbox"/>	5.0	M7x0.75	A	7.0	M7x0.75	B	10.0	M7x0.75	C	L	25	20	15	15	a	12	10	7	5	  MOUNTING SURFACE P.C.B.MOUNTING HOLE DETAIL SHAFT SHOWN IN FULL C.C.W. POSITION
W	D	<input checked="" type="checkbox"/>																						
5.0	M7x0.75	A																						
7.0	M7x0.75	B																						
10.0	M7x0.75	C																						
L	25	20	15	15																				
a	12	10	7	5																				

RA0922 SERIES CIRCUIT DIAGRAM





SOUNDWELL®

http://soundwell-cn.com

RA09 Series POTENTIOMETER



企业微信，扫码有惊喜

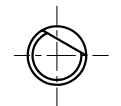
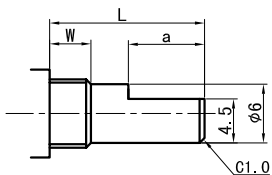


升威官网，发现更多产品

RA0902/03/05/19/20 METAL SHAFT SERIES

UNIT:mm

FA-TYPE

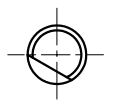
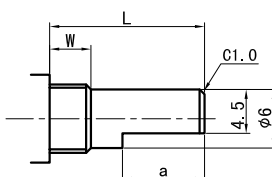


SHOWN IN FULL
C. C. W POSITION

L	10	13	15	17	18	20	25	30	35	40
a	2.5	7	7	8	10	12	12	12	12	12

W=5、 7、 10

FR-TYPE

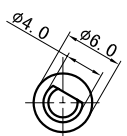
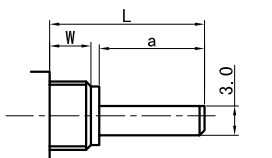


SHOWN IN FULL
C. C. W POSITION

L	10	15	17	18	20	25	30	35	40
a	2.5	7	8	10	12	12	12	12	12

W=5、 7、 10

FC-TYPE

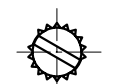
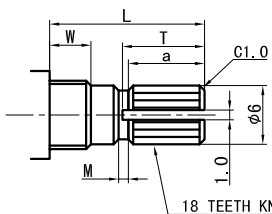


SHOWN IN FULL
C. C. W POSITION

L	10	15	17	18	20	25	30	35	40
a	2.5	7	8	10	12	12	12	12	12

W=5、 7、 10

KA-TYPE

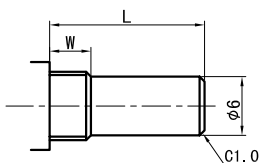


SHOWN IN FULL
C. C. W POSITION

L	10	15	17	18	20	25	30	35	40
T	2.5	7.0	8.5	9.0	12	14	14	14	14
a	2	6	7	7	10	12	12	12	12
M	0.5	1	1.5	2	2	4	4	4	4

W=5、 7、 10

RA-TYPE

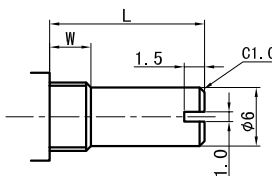


SHOWN IN FULL
C. C. W POSITION

L	10	15	17	18	20	25	30	35	40
---	----	----	----	----	----	----	----	----	----

W=5、 7、 10

RB-TYPE



SHOWN IN FULL
C. C. W POSITION

L	10	15	17	18	20	25	30	35	40
---	----	----	----	----	----	----	----	----	----

W=5、 7、 10