



SOUNDWELL®

http://soundwell-cn.com

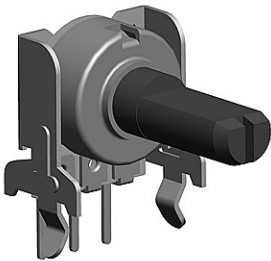
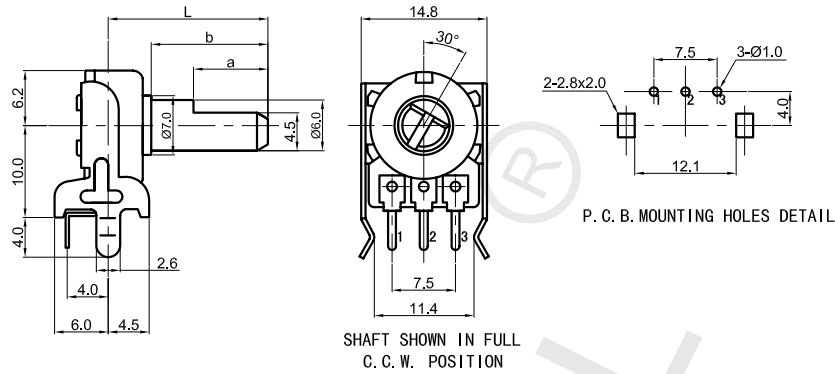
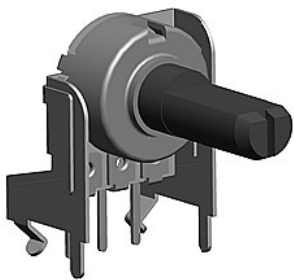
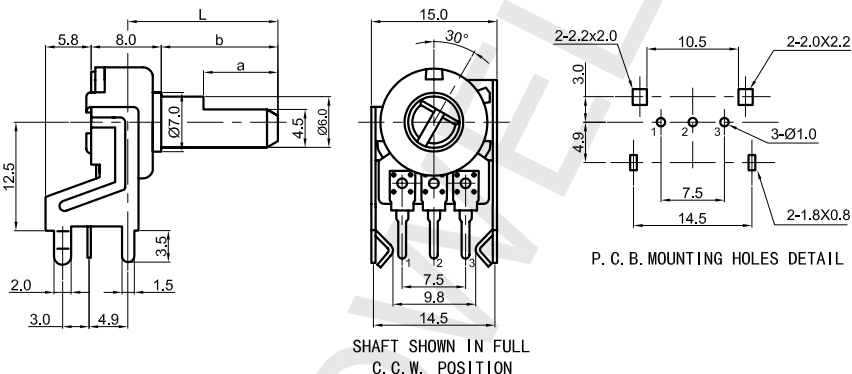
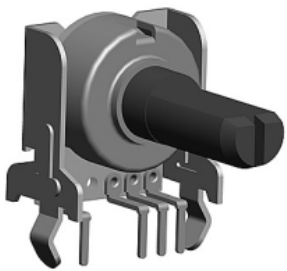
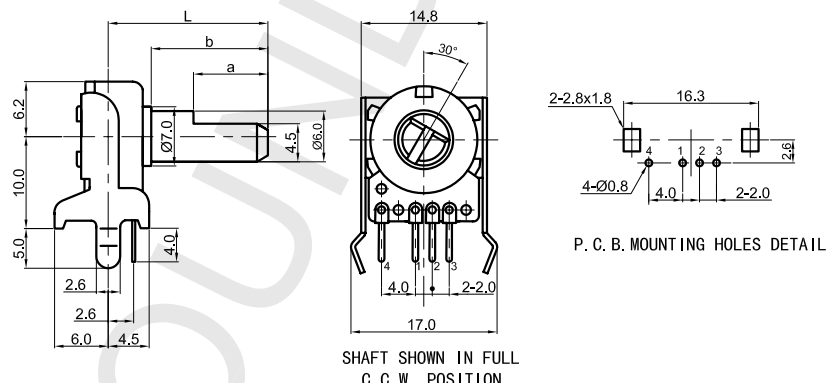
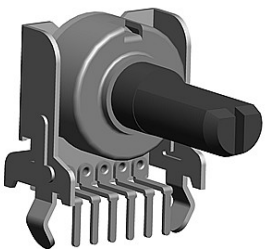
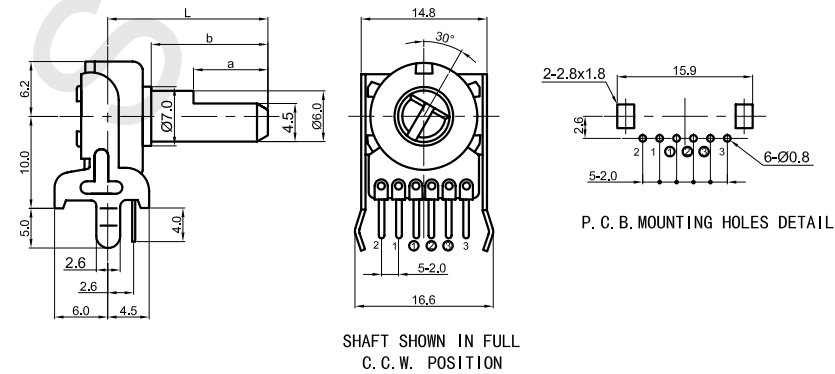
RB12 Series POTENTIOMETER



企业微信，扫码有惊喜



升威官网，发现更多产品

MODEL 品名	DIMENSIONS 尺寸	UNIT:mm
<p>RB1201NOX0A-VB1</p> 	 <p>SHAFT SHOWN IN FULL C. C. W. POSITION</p>	
<p>RB1201NOX0B-VB2</p> 	 <p>SHAFT SHOWN IN FULL C. C. W. POSITION</p>	
<p>RB1201NTX0N-VA1</p> 	 <p>SHAFT SHOWN IN FULL C. C. W. POSITION</p>	
<p>RB1201GOX0E-VA1</p> 	 <p>SHAFT SHOWN IN FULL C. C. W. POSITION</p>	



SOUNDWELL®

<http://soundwell-cn.com>

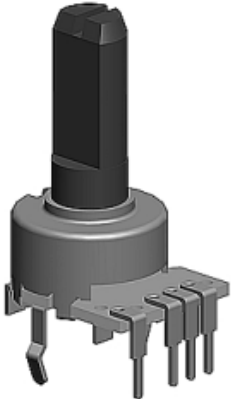
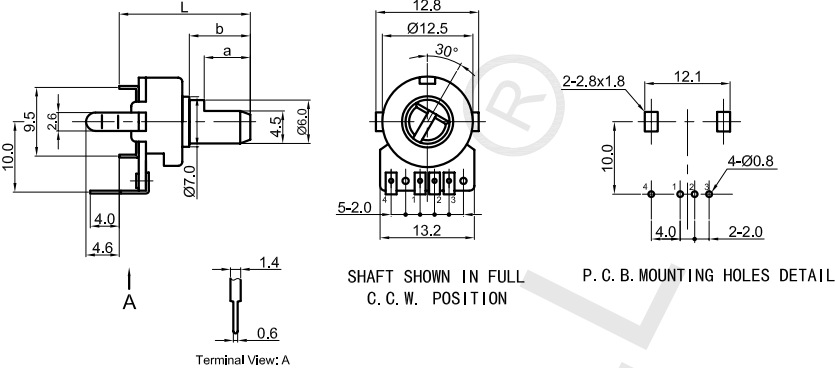

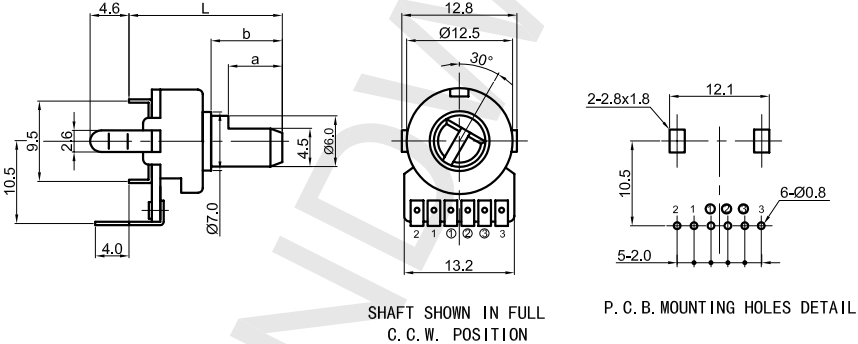

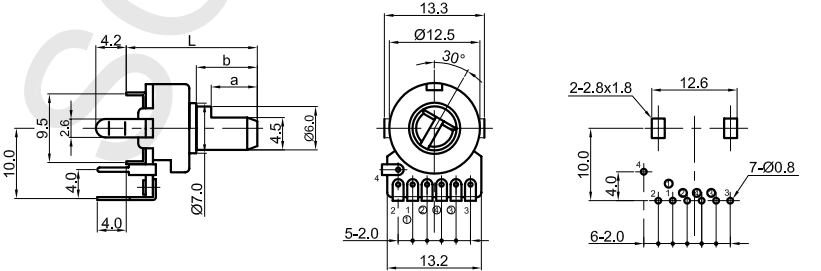
RB12 Series POTENTIOMETER



企业微信，扫码有惊喜



升威官网，发现更多产品

MODEL 品名	DIMENSIONS 尺寸	UNIT:mm
<p>RB1201NTX0D-HA1</p> 	 <p>SHAFT SHOWN IN FULL C. C. W. POSITION</p> <p>P. C. B. MOUNTING HOLES DETAIL</p> <p>Terminal View: A</p>	
<p>RB1201GOX0D-HA1</p> 	 <p>SHAFT SHOWN IN FULL C. C. W. POSITION</p> <p>P. C. B. MOUNTING HOLES DETAIL</p>	
<p>RB1201GUX0D-HA1</p> 	 <p>SHAFT SHOWN IN FULL C. C. W. POSITION</p> <p>P. C. B. MOUNTING HOLES DETAIL</p>	



SOUNDWELL®

http://soundwell-cn.com

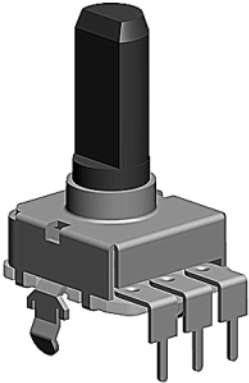
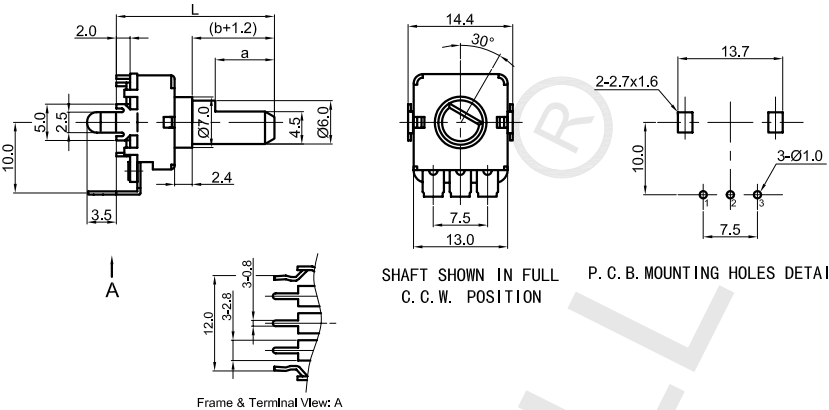
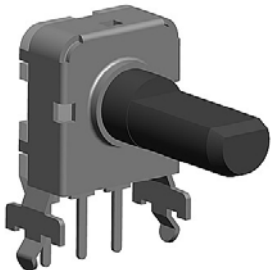
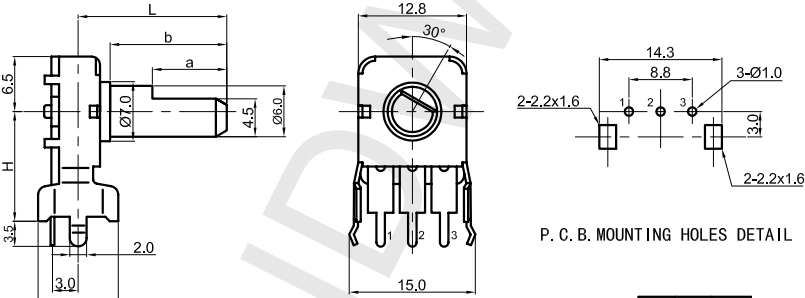
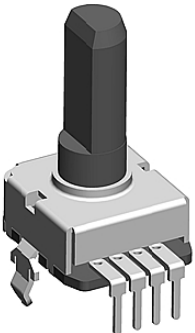
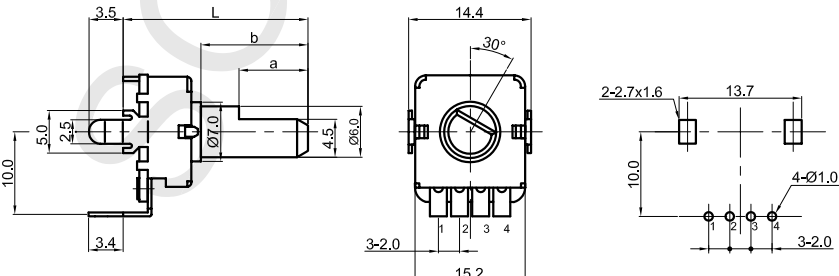
RB12 Series POTENTIOMETER



企业微信，扫码有惊喜



升威官网，发现更多产品

MODEL 品名	DIMENSIONS 尺寸	UNIT:mm									
<p>RB1211NOX0E-HA1</p> 	 <p>SHAFT SHOWN IN FULL C. C. W. POSITION</p> <p>P. C. B. MOUNTING HOLES DETAIL</p> <p>Frame & Terminal View: A</p>										
<p>RB1211NOX0Z-VA</p> 	 <p>SHAFT SHOWN IN FULL C. C. W. POSITION</p> <p>P. C. B. MOUNTING HOLES DETAIL</p> <table border="1" data-bbox="1257 1339 1372 1420"> <thead> <tr> <th>Z</th> <th>X</th> <th>H</th> </tr> </thead> <tbody> <tr> <td>G</td> <td>1</td> <td>10</td> </tr> <tr> <td>Q</td> <td>2</td> <td>12.5</td> </tr> </tbody> </table>	Z	X	H	G	1	10	Q	2	12.5	
Z	X	H									
G	1	10									
Q	2	12.5									
<p>RB1211NTX0H-HA1</p> 	 <p>SHAFT SHOWN IN FULL C. C. W. POSITION</p> <p>P. C. B. MOUNTING HOLES DETAIL</p>										



SOUNDWELL®

<http://soundwell-cn.com>

RB12 Series POTENTIOMETER



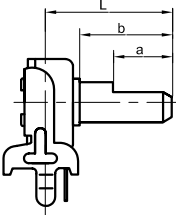
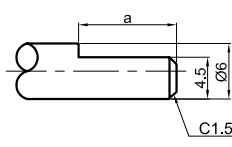
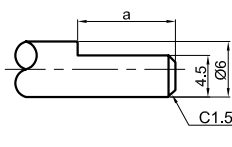
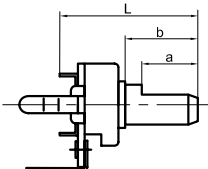
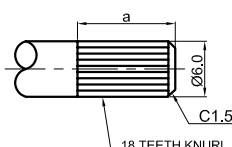
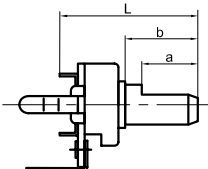
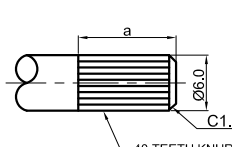
企业微信，扫码有惊喜



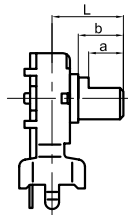
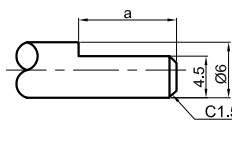
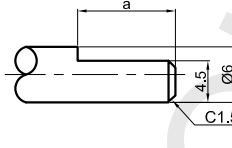
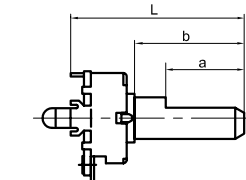
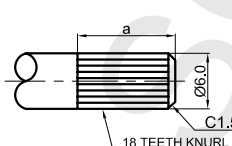
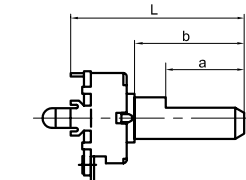
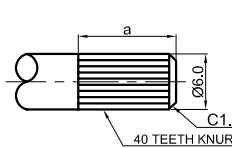
升威官网，发现更多产品

MODEL 品名	DIMENSIONS 尺寸	UNIT:mm
----------	---------------	---------

RB1201 SERIES INSULATED SHAFT TYPE

CATEGORIES	DIMENSIONS		UNIT:mm																																						
V-TYPE (VERTICAL) 	 C1.5x0.5 SHAFT SHOWN IN FULL C. C. W. POSITION	FA-TYPE <table border="1"> <tr> <td>L</td> <td>H</td> <td>15</td> <td>20</td> <td>25</td> <td>30</td> <td>35</td> </tr> <tr> <td>V</td> <td></td> <td>10</td> <td>15</td> <td>20</td> <td>25</td> <td>30</td> </tr> <tr> <td>b</td> <td></td> <td>5</td> <td>10</td> <td>15</td> <td>20</td> <td>25</td> </tr> <tr> <td>a</td> <td></td> <td>5</td> <td>7</td> <td>8</td> <td>7</td> <td>12</td> <td>7</td> <td>12</td> <td>12</td> </tr> </table>	L	H	15	20	25	30	35	V		10	15	20	25	30	b		5	10	15	20	25	a		5	7	8	7	12	7	12	12								
	L	H	15	20	25	30	35																																		
	V		10	15	20	25	30																																		
	b		5	10	15	20	25																																		
a		5	7	8	7	12	7	12	12																																
 C1.5x0.5 SHAFT SHOWN IN FULL C. C. W. POSITION	FB-TYPE <table border="1"> <tr> <td>L</td> <td>H</td> <td>15</td> <td>24</td> <td>20</td> <td>25</td> <td>29</td> <td>30</td> <td>35</td> </tr> <tr> <td>V</td> <td></td> <td>10</td> <td>19</td> <td>15</td> <td>20</td> <td>24</td> <td>25</td> <td>30</td> </tr> <tr> <td>b</td> <td></td> <td>5</td> <td>14</td> <td>10</td> <td>15</td> <td>19</td> <td>20</td> <td>25</td> </tr> <tr> <td>a</td> <td></td> <td>5</td> <td>10</td> <td>7</td> <td>8</td> <td>7</td> <td>12</td> <td>10</td> <td>7</td> <td>12</td> <td>12</td> </tr> </table>	L	H	15	24	20	25	29	30	35	V		10	19	15	20	24	25	30	b		5	14	10	15	19	20	25	a		5	10	7	8	7	12	10	7	12	12	
L	H	15	24	20	25	29	30	35																																	
V		10	19	15	20	24	25	30																																	
b		5	14	10	15	19	20	25																																	
a		5	10	7	8	7	12	10	7	12	12																														
	 C1.5x0.5 18 TEETH KNURL SHAFT SHOWN IN FULL C. C. W. POSITION	KQ-TYPE <table border="1"> <tr> <td>L</td> <td>H</td> <td>15</td> <td>20</td> <td>25</td> <td>30</td> <td>35</td> </tr> <tr> <td>V</td> <td></td> <td>10</td> <td>15</td> <td>20</td> <td>25</td> <td>30</td> </tr> <tr> <td>b</td> <td></td> <td>5</td> <td>10</td> <td>15</td> <td>20</td> <td>25</td> </tr> <tr> <td>a</td> <td></td> <td>5</td> <td>7</td> <td>8</td> <td>10</td> <td>7</td> <td>12</td> <td>7</td> <td>12</td> <td>12</td> </tr> </table>	L	H	15	20	25	30	35	V		10	15	20	25	30	b		5	10	15	20	25	a		5	7	8	10	7	12	7	12	12							
L	H	15	20	25	30	35																																			
V		10	15	20	25	30																																			
b		5	10	15	20	25																																			
a		5	7	8	10	7	12	7	12	12																															
	 C1.5x0.5 40 TEETH KNURL SHAFT SHOWN IN FULL C. C. W. POSITION	KS-TYPE <table border="1"> <tr> <td>L</td> <td>H</td> <td>15</td> <td>20</td> <td>25</td> <td>30</td> <td>35</td> </tr> <tr> <td>V</td> <td></td> <td>10</td> <td>15</td> <td>20</td> <td>25</td> <td>30</td> </tr> <tr> <td>b</td> <td></td> <td>5</td> <td>10</td> <td>15</td> <td>20</td> <td>25</td> </tr> <tr> <td>a</td> <td></td> <td>5</td> <td>7</td> <td>8</td> <td>7</td> <td>12</td> <td>7</td> <td>12</td> <td>12</td> </tr> </table>	L	H	15	20	25	30	35	V		10	15	20	25	30	b		5	10	15	20	25	a		5	7	8	7	12	7	12	12								
L	H	15	20	25	30	35																																			
V		10	15	20	25	30																																			
b		5	10	15	20	25																																			
a		5	7	8	7	12	7	12	12																																

RB1211 SERIES INSULATED SHAFT TYPE

V-TYPE (VERTICAL) 	 C1.5x0.5 SHAFT SHOWN IN FULL C. C. W. POSITION	FA-TYPE <table border="1"> <tr> <td>L</td> <td>H</td> <td>15</td> <td>20</td> <td>25</td> <td>30</td> <td>35</td> </tr> <tr> <td>V</td> <td></td> <td>10</td> <td>15</td> <td>20</td> <td>25</td> <td>30</td> </tr> <tr> <td>b</td> <td></td> <td>6.5</td> <td>11.5</td> <td>16.5</td> <td>21.5</td> <td>26.5</td> </tr> <tr> <td>a</td> <td></td> <td>5</td> <td>7</td> <td>8</td> <td>7</td> <td>12</td> <td>7</td> <td>12</td> <td>12</td> </tr> </table>	L	H	15	20	25	30	35	V		10	15	20	25	30	b		6.5	11.5	16.5	21.5	26.5	a		5	7	8	7	12	7	12	12								
	L	H	15	20	25	30	35																																		
	V		10	15	20	25	30																																		
	b		6.5	11.5	16.5	21.5	26.5																																		
a		5	7	8	7	12	7	12	12																																
 C1.5x0.5 SHAFT SHOWN IN FULL C. C. W. POSITION	FB-TYPE <table border="1"> <tr> <td>L</td> <td>H</td> <td>15</td> <td>20</td> <td>22.5</td> <td>25</td> <td>27.5</td> <td>30</td> <td>35</td> </tr> <tr> <td>V</td> <td></td> <td>10</td> <td>15</td> <td>17.5</td> <td>20</td> <td>22.5</td> <td>25</td> <td>30</td> </tr> <tr> <td>b</td> <td></td> <td>6.5</td> <td>11.5</td> <td>14</td> <td>16.5</td> <td>19</td> <td>21.5</td> <td>26.5</td> </tr> <tr> <td>a</td> <td></td> <td>5</td> <td>7</td> <td>8</td> <td>10</td> <td>7</td> <td>12</td> <td>10</td> <td>7</td> <td>12</td> <td>12</td> </tr> </table>	L	H	15	20	22.5	25	27.5	30	35	V		10	15	17.5	20	22.5	25	30	b		6.5	11.5	14	16.5	19	21.5	26.5	a		5	7	8	10	7	12	10	7	12	12	
L	H	15	20	22.5	25	27.5	30	35																																	
V		10	15	17.5	20	22.5	25	30																																	
b		6.5	11.5	14	16.5	19	21.5	26.5																																	
a		5	7	8	10	7	12	10	7	12	12																														
	 C1.5x0.5 18 TEETH KNURL SHAFT SHOWN IN FULL C. C. W. POSITION	KQ-TYPE <table border="1"> <tr> <td>L</td> <td>H</td> <td>15</td> <td>20</td> <td>25</td> <td>30</td> <td>35</td> </tr> <tr> <td>V</td> <td></td> <td>10</td> <td>15</td> <td>20</td> <td>25</td> <td>30</td> </tr> <tr> <td>b</td> <td></td> <td>6.5</td> <td>11.5</td> <td>16.5</td> <td>21.5</td> <td>26.5</td> </tr> <tr> <td>a</td> <td></td> <td>5</td> <td>7</td> <td>8</td> <td>10</td> <td>7</td> <td>12</td> <td>7</td> <td>12</td> <td>12</td> </tr> </table>	L	H	15	20	25	30	35	V		10	15	20	25	30	b		6.5	11.5	16.5	21.5	26.5	a		5	7	8	10	7	12	7	12	12							
L	H	15	20	25	30	35																																			
V		10	15	20	25	30																																			
b		6.5	11.5	16.5	21.5	26.5																																			
a		5	7	8	10	7	12	7	12	12																															
	 C1.5x0.5 40 TEETH KNURL SHAFT SHOWN IN FULL C. C. W. POSITION	KS-TYPE <table border="1"> <tr> <td>L</td> <td>H</td> <td>15</td> <td>20</td> <td>25</td> <td>30</td> <td>35</td> </tr> <tr> <td>V</td> <td></td> <td>10</td> <td>15</td> <td>20</td> <td>25</td> <td>30</td> </tr> <tr> <td>b</td> <td></td> <td>6.5</td> <td>11.5</td> <td>16.5</td> <td>21.5</td> <td>26.5</td> </tr> <tr> <td>a</td> <td></td> <td>5</td> <td>7</td> <td>8</td> <td>7</td> <td>12</td> <td>7</td> <td>12</td> <td>12</td> </tr> </table>	L	H	15	20	25	30	35	V		10	15	20	25	30	b		6.5	11.5	16.5	21.5	26.5	a		5	7	8	7	12	7	12	12								
L	H	15	20	25	30	35																																			
V		10	15	20	25	30																																			
b		6.5	11.5	16.5	21.5	26.5																																			
a		5	7	8	7	12	7	12	12																																

NOTE: The shaded area represents sub-standard length / 注:阴影部分为非标准规格。



SOUNDWELL®

<http://soundwell-cn.com>

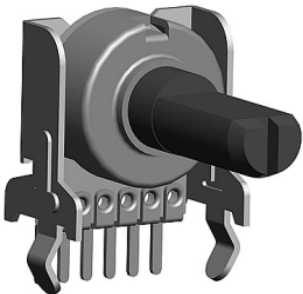
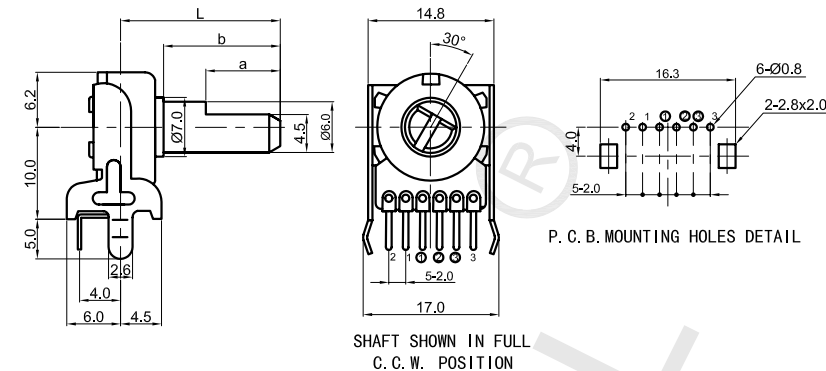
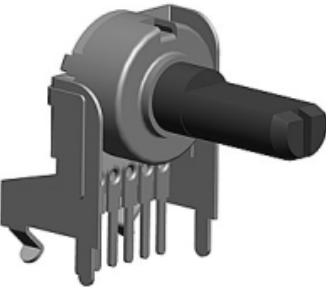
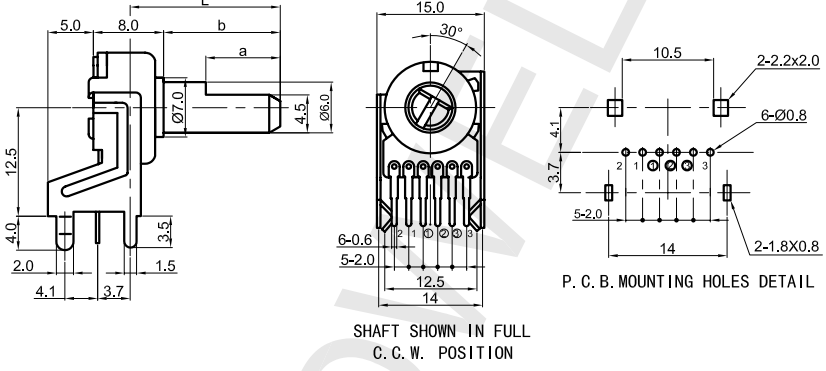

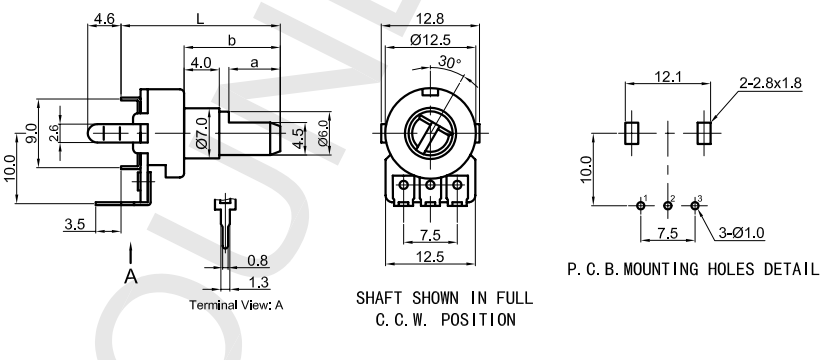

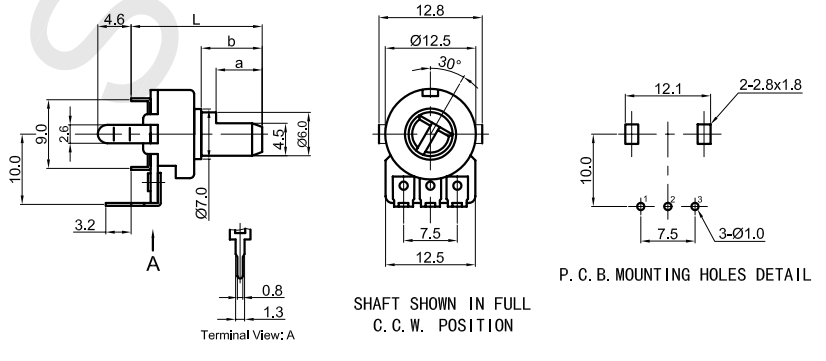
RB12 Series POTENTIOMETER



企业微信，扫码有惊喜



升威官网，发现更多产品

MODEL 品名	DIMENSIONS 尺寸	UNIT:mm
<p>RB1201GOX0N-VB3</p> 	 <p>SHAFT SHOWN IN FULL C. C. W. POSITION</p>	
<p>RB1201GOX0B-VB2</p> 	 <p>SHAFT SHOWN IN FULL C. C. W. POSITION</p>	
<p>RB1201NOA0D-HA1</p> 	 <p>Terminal View: A</p> <p>SHAFT SHOWN IN FULL C. C. W. POSITION</p>	
<p>RB1201NOX0D-HA1</p> 	 <p>Terminal View: A</p> <p>SHAFT SHOWN IN FULL C. C. W. POSITION</p>	