



SOUNDWELL®

http://soundwell-cn.com

RJ16 Series POTENTIOMETERS

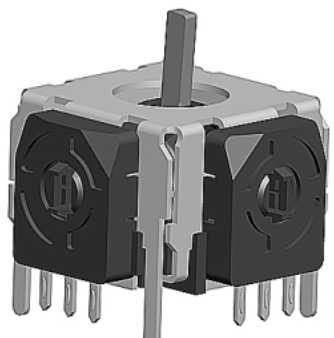
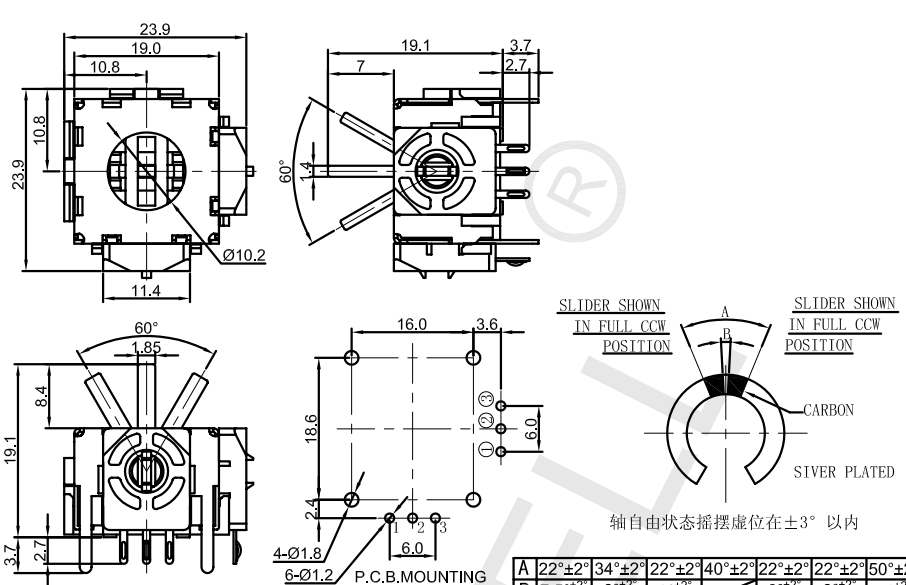


企业微信，扫码有惊喜



升威官网，发现更多产品

| MODEL 品名 | DIMENSIONS 尺寸 | UNIT:mm |
|----------|---------------|---------|
|----------|---------------|---------|

| | | | | | | | | | | | | | | | | | |
|--|--|-------------------------|-------------------------|------------------------|-------------------------|-------------------------|-------------------------|------------------------|------------------------|---|---------------------------|-------------------------|-------------------------|--|-------------------------|-------------------------|-------------------------|
| <p>RJ1603NOA0X-VA1</p>  |  <p>轴自由状态摇摆虚位在$\pm 3^\circ$ 以内</p> <table border="1"> <tr> <td>A</td> <td>$22^\circ \pm 2^\circ$</td> <td>$34^\circ \pm 2^\circ$</td> <td>$22^\circ \pm 2^\circ$</td> <td>$40^\circ \pm 2^\circ$</td> <td>$22^\circ \pm 2^\circ$</td> <td>$22^\circ \pm 2^\circ$</td> <td>$50^\circ \pm 2^\circ$</td> </tr> <tr> <td>B</td> <td>$7.5^\circ \pm 0.5^\circ$</td> <td>$6^\circ \pm 0.5^\circ$</td> <td>$8^\circ \pm 0.5^\circ$</td> <td></td> <td>$6^\circ \pm 0.5^\circ$</td> <td>$8^\circ \pm 0.5^\circ$</td> <td>$6^\circ \pm 0.5^\circ$</td> </tr> </table> | A | $22^\circ \pm 2^\circ$ | $34^\circ \pm 2^\circ$ | $22^\circ \pm 2^\circ$ | $40^\circ \pm 2^\circ$ | $22^\circ \pm 2^\circ$ | $22^\circ \pm 2^\circ$ | $50^\circ \pm 2^\circ$ | B | $7.5^\circ \pm 0.5^\circ$ | $6^\circ \pm 0.5^\circ$ | $8^\circ \pm 0.5^\circ$ | | $6^\circ \pm 0.5^\circ$ | $8^\circ \pm 0.5^\circ$ | $6^\circ \pm 0.5^\circ$ |
| A | $22^\circ \pm 2^\circ$ | $34^\circ \pm 2^\circ$ | $22^\circ \pm 2^\circ$ | $40^\circ \pm 2^\circ$ | $22^\circ \pm 2^\circ$ | $22^\circ \pm 2^\circ$ | $50^\circ \pm 2^\circ$ | | | | | | | | | | |
| B | $7.5^\circ \pm 0.5^\circ$ | $6^\circ \pm 0.5^\circ$ | $8^\circ \pm 0.5^\circ$ | | $6^\circ \pm 0.5^\circ$ | $8^\circ \pm 0.5^\circ$ | $6^\circ \pm 0.5^\circ$ | | | | | | | | | | |

RJ16 SERIES CIRCUIT DIAGRAM

